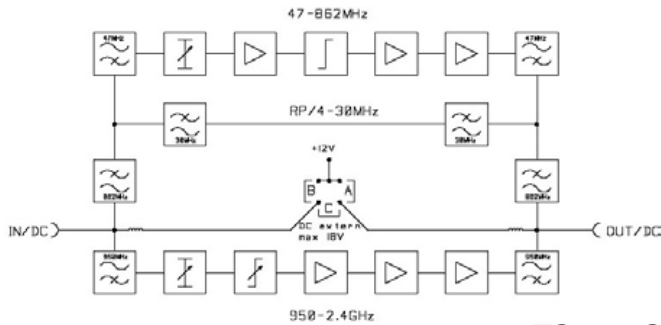
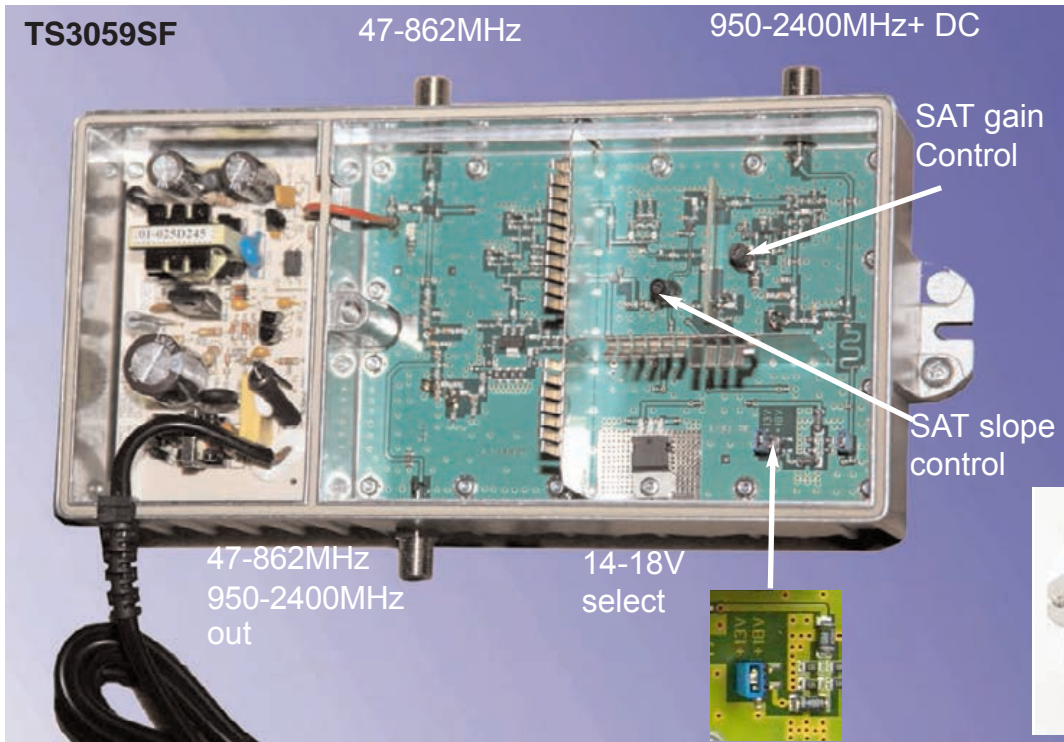


Discontinued



TS3059SF



VS 93B

Type	Frequency MHz	Gain MHz 40-860	Gain MHz 950	Gain MHz 2400	Max output 35dB IMA3	Noise > 950 MHz	LNB power	Voltage	Max through current	Price
VS 93B	87-862/950-2400	13-18dB	27dB	35dB	115dBuV	≤ 7dB	18V 300mA	220/240VAC 14VA		£96.43
TS3059SF	40-860/950-2150	28dB	22dB	28dB	116dBuV	≤ 7dB	12V 400mA	220/240VAC 5VA		£153.23

Specifications subject to change